

Step 7. Mounting the Display onto the Articulated Arm

(2 people required)

Lower the Display so that the Hook Plate locates with the Mounting Head.

Hook Plate

Mounting Head

If necessary, adjust the horizontal angle of the Mounting Rail so that the Display is level.

+/-5° Adjustment

TIGHTEN FIRMLY

5mm Allen Key

Nylon Washer - Mount Head Screw

TIP: Use a Spirit Level to check the Display is level.

Step 8. Cable Management

Connect cables to your Display and route through Cable Clips.

Cable Clip

Cables

Remove Cable Covers using a Phillips Head Screwdriver, and route the cables along the length of the arms. Reattach the Cable Covers to hold the Cables in place.

Cable Covers

TIP: Leave slack in the cables to allow full movement at the joints.

Step 9. Final Adjustment

Loosen screw with 5mm Allen key and tilt the Display as desired.

LOOSEN

TIGHTEN

5mm Allen key

Tighten screw with 5mm allen key to lock the Display in desired position.

Tilt Down

Tilt Up

TIP: The 5mm and 6mm Allen Keys can be stored in the Mounting Rail End Caps.

End Cap

Installation Complete

As Display Manufacturers are constantly releasing new monitor models, Atdec does not accept responsibility if the VESA mounting does not comply with the international standards. Due to continuing product development, the manufacturer reserves the right to alter specifications without notice. Published: 15.05.12 ©

ATDEC

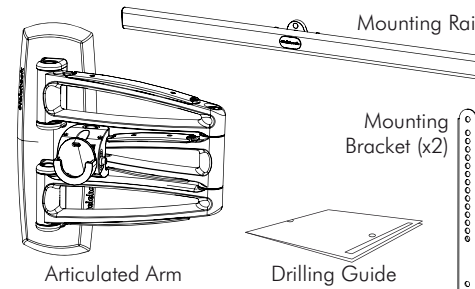
Infinite Mounting Possibilities

Installation Instructions

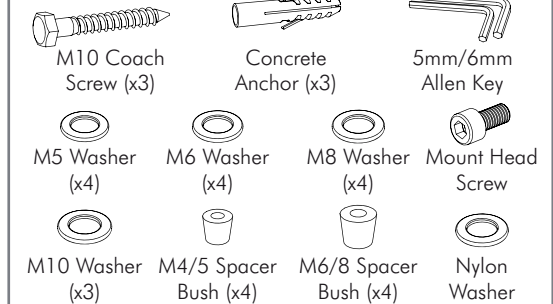
Flat Screen Wall Mount | Full Motion

TH-3270-UFM

Component Checklist



Hardware



Mounting Screws



TOOLS REQUIRED:

- Power Drill
- Phillips Head Screwdriver
- Flat Blade Screwdriver
- Spirit Level
- 7mm (9/32") Drill Bit
- 12mm (1/2") Masonry Drill Bit
- 16mm (5/8") Socket Wrench or Shifter

IMPORTANT INFORMATION

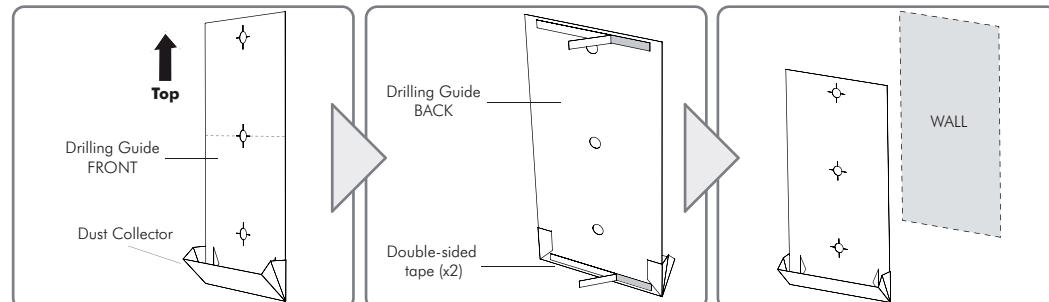
- ! **IMPORTANT - Install Wall Mount as per Installation Instructions.**
- ! Wall Mount has a universal mounting hole pattern that suits a broad range of TVs: from 150 to 805mm wide (6" to 31 3/4") and 140mm to 500mm high (5 1/2" to 19 3/4").
- ! Maximum Load: 65kg (143lbs)
- ! The Manufacturer accepts no responsibility for incorrect installation.

Step 1. Check Components

Check you have received all parts against the Component Checklist and Hardware above.

Step 2. Locate Drilling Position

Choose the location of your Wall Mount, ensuring that the wall is structurally sound (for a timber studwall, locate the stud using a stud detection device). Use the Drilling Guide to mark out the hole centres.

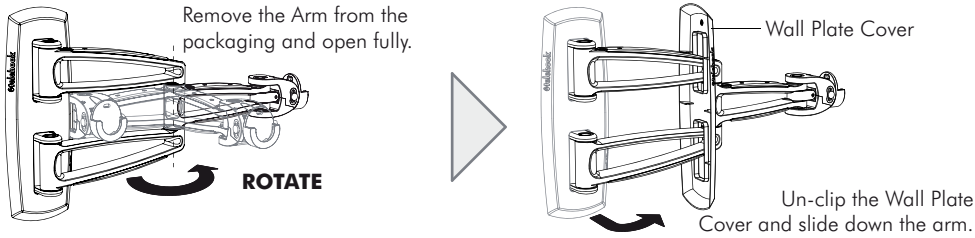


Un-fold the Drilling Guide and open the Dust Collector.

Peel away the backing from the double-sided adhesive tape.

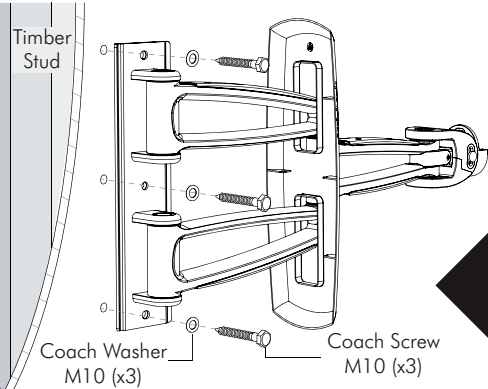
Position the Drilling Guide vertically onto the wall using a spirit level.

Step 3. Attaching the Articulated Arm to the Wall



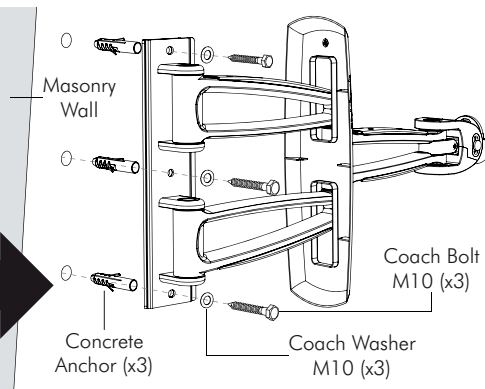
Timber Stud Wall

- Using the Drilling Guide, drill three 7mm (9/32") diameter holes, 60mm (2 3/8") deep.
- Secure the Mounting Plate to the wall using the Coach Screw and Washers supplied.



Masonry Wall

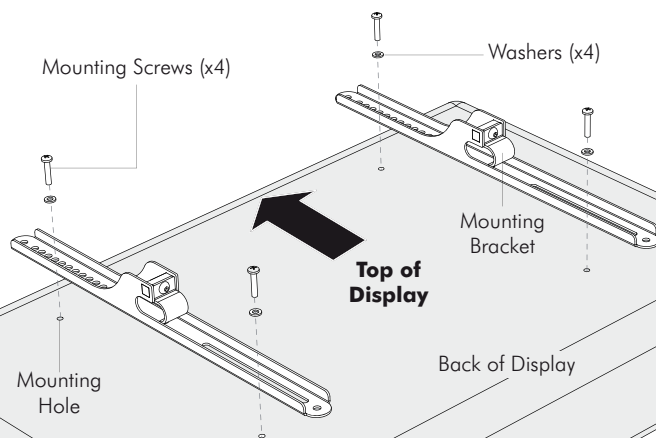
- Using the Drilling Guide, drill three 12mm (1/2") diameter holes, 60mm (2 3/8") deep.
- Secure the Mounting Plate to the wall using the Coach Screw, Washers and Anchors supplied.



OR

Step 4. Attaching the Mounting Brackets to your Display

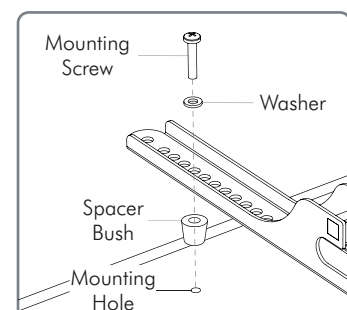
Choose appropriate Mounting Screws and Washers from the Hardware supplied to suit your Display.



TIP: Secure the Mounting Bracket to the Display through the top hole first, then the bottom slot.

Recessed Mounting Holes or Display with a Curved Rear Panel

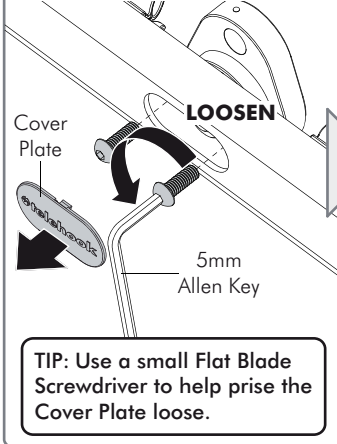
If the Mounting Holes are recessed into the back of the Display, or the Display has a curved rear panel, use the appropriate Spacer Bushes supplied to pack the Mounting Holes. **NOTE:** Ensure the Mounting Bracket is securely fixed to the Display.



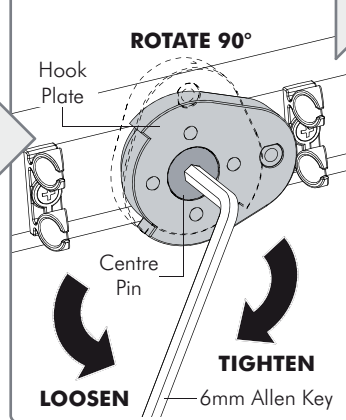
Step 5. Landscape or Portrait Setup

NOTE: The Mounting Rail is factory set to mount the Display in a **landscape** position. If you wish to mount the Display in a **portrait** position, please carry out the following instructions (if not, skip to Step 6).

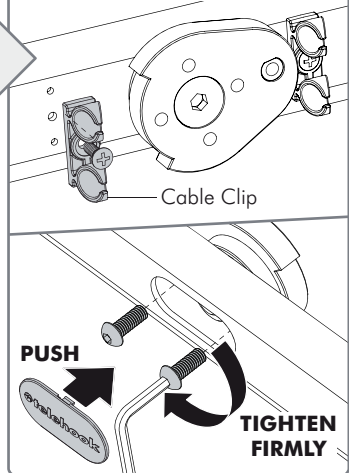
- Remove the:
- Cover Plate.
 - Two Button Head Screws using the 5mm Allen Key supplied.



- Loosen, but do not remove the Centre Pin using the 6mm Allen Key supplied. **Rotate the Hook Plate 90°**, then re-tighten the Centre Pin.

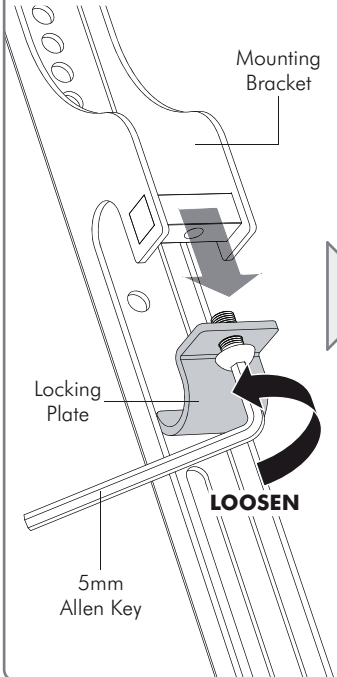


- Remove the lower Cable Clip. Then reinstall the two Button Head Screws and Cover Plate.

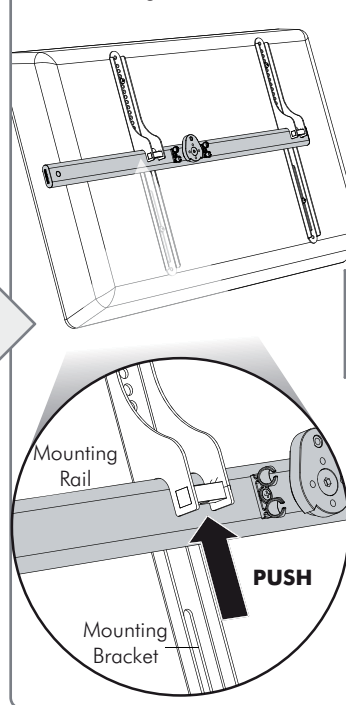


Step 6. Attaching the Mounting Rail to the Mounting Brackets

- Remove the Locking Plate from each Mounting Bracket using the 5mm Allen Key supplied.



- Slide the Mounting Rail under both Mounting Brackets.



- Centralise the Mounting Rail on the Display, then reinstall the Locking Plates to clamp the Mounting Rail in position.

